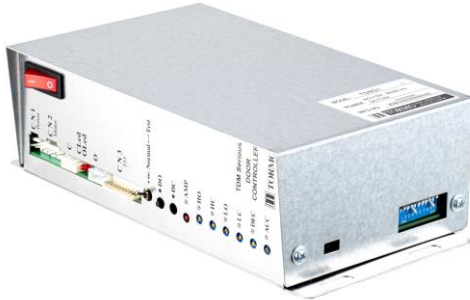


TDM Serious



- ◆ PM motor (DC) - High efficiency and Long life.
- ◆ Protection
 - Impedance protection – Controller and motor will not be damaged when door locked.
 - Over door force detection. – Under HC mode.
- ◆ Continuous stall torque –Motor maintains power at limit position.
- ◆ High-Speed Mode: 8-second 125% torque boost.
- ◆ Three-Speed Opening Mode: Low-High-Low.
- ◆ Quick Controller Setup: Motor direction and parameter switches.
- ◆ Compatible with Mechanical and Electronic (TPE10 Photoelectric Switch) Position Switches.
- ◆ 3 years warranty (Controller and motor are TORMO).

1. DOOR MOTOR ORDERING INFORMATION

1.1. Direct Drive Door Opener – Motor with Gear Reducer (Home Elevator/Fireproof Elevator)

Gear Motor Model	TP07-06HG10	TP08/125VG101
Usage Reference – Max Door Width (mm) *	1000	1500
Door Controller Model	TDM□□-B	

1.2. Hitachi/Yungtay Arm Door Opener – Motor with Gear Reducer

Gear Motor Model	TP08/100VG201+BK3	
Usage Reference – Max Door Width (mm) *	1500 mm	
Door Controller Model	TDM□□ – □	

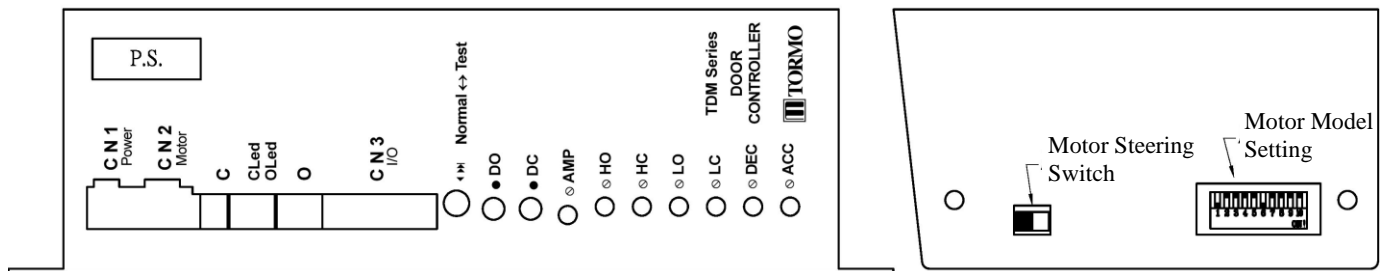
* **Maximum Door Width** is reference only. It depended on the door operator reduce ratio, door operator type and door weight.

2. DOOR CONTROLLER ORDERING INFORMATION

TDM		<input type="checkbox"/>	<input type="checkbox"/>	-	<input type="checkbox"/>
		1	2		3
1	Door Open/Close Signal	S – Single Contact D – Dual Contacts V – Dual Contacts plus External DC24V			
2	Voltage Input:	1 – AC110V 50/60Hz or DC110V 2 – AC230V 50/60Hz			
3	Option Code	B – TP Series Permanent Magnet Motor - Eliminates Generator Effect, 1 set of O/C connection wires - for photocell or proximity switch use. C – TP Series Permanent Magnet Motor - Eliminates Generator Effect. H –TP Series Permanent Magnet Motor - Eliminates Generator Effect, for U-type doors - Tt=15sec, Motor TP90~TP100 P – TP Series Permanent Magnet Motor - Eliminates Generator Effect, for U-type doors - Tt=15sec, Motor TP201~TP701			

3. SPECIFICATION and CHARACTERISTICS

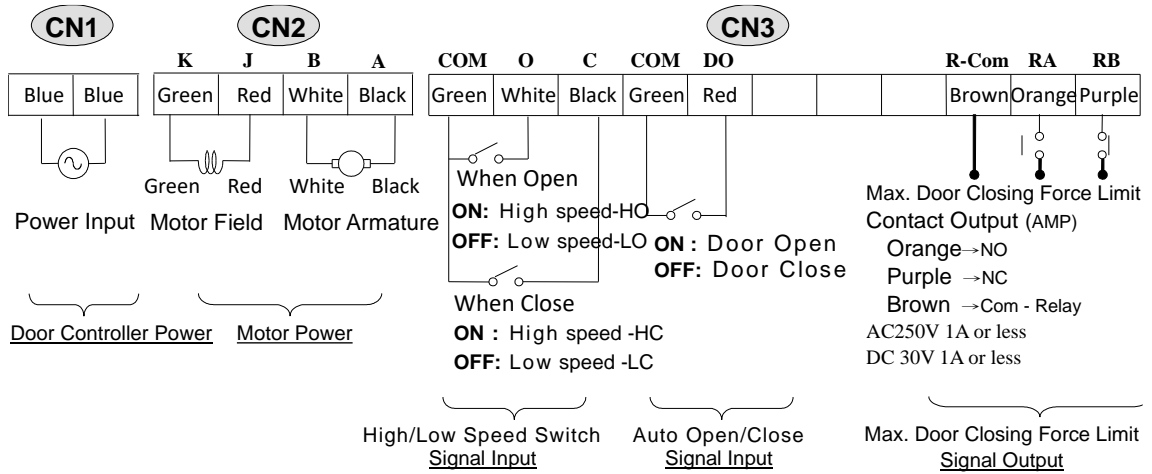
● Panel function



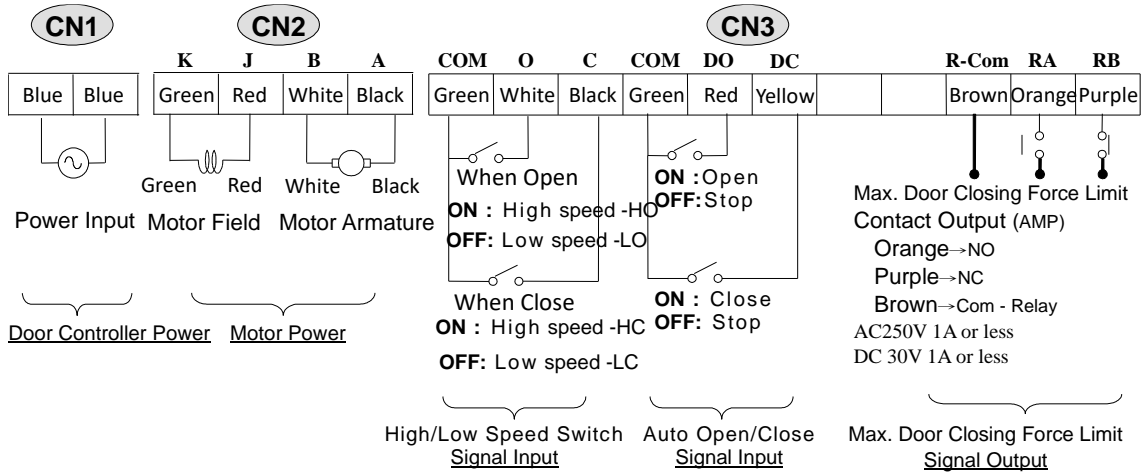
Wiring Installation	CN1	Door Controller Power Input	
	CN2	Motor Power	
	CN3	Control Signal Input/Output	
Operating Modes	Auto↔Manual	Elevator Normal Operation Mode ↔ Manual Testing Mode	
	DO	Manual Open/Close Buttons (TDM <u>S</u> □ Series)	
	DC	Manual Close Button (TDM <u>D</u> □ and TDM <u>V</u> □ Series)	
Adjusting Action Characteristics	HO	High-Speed Door Opening	
	HC	High-Speed Door Closing	
	LO	Low-Speed Door Opening	
	LC	Low-Speed Door Closing	
	ACC	Door Open/Close Acceleration Time	
	DEC	Door Open/Close Deceleration Time	
Motor Model Setup		TP07-06HG10, TP20, TP201/600 TM20, TM201, TM202	1,6 ON All Others Off
		TP22, TP22-1Z011, TP22-TU011, TP08/125VG101, TP08/100VG201, TM28, TM40	2,7 ON All Others Off
		TP25, TP251/550, TP50, TP501/550 TM402, TM50	3,8 ON All Others Off
		TP201/1500, TP70 TM502, TM70	4,9 ON All Others Off
		-	-
Indicators	P.S.	Power Switch	
	AMP	Foreign Object Detection	
	CLed	Door Closing Speed – Bright/Dark: High Speed/Low Speed	
	OLed	Door Opening Speed – Bright/Dark: High Speed/Low Speed	

● Door controller wiring - CN1, CN2, CN3

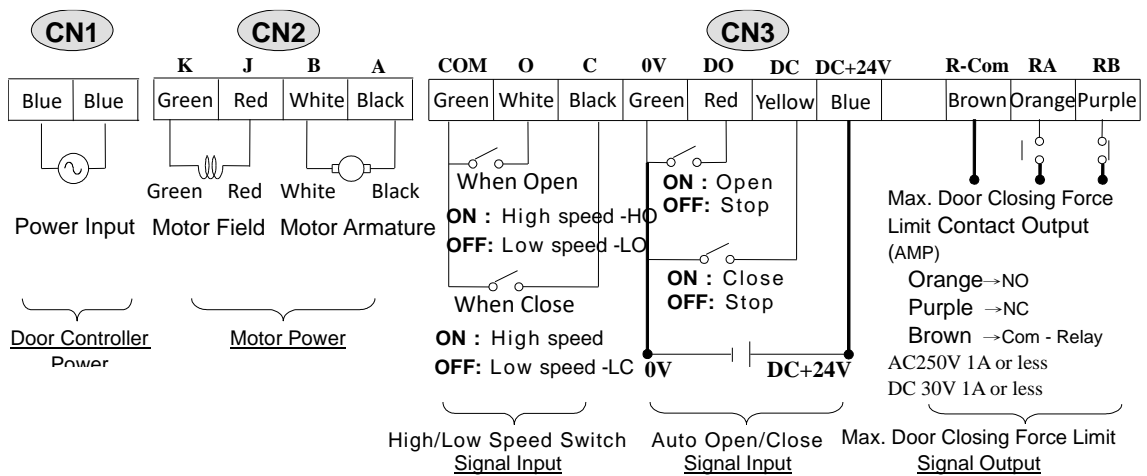
1). TDMS Series Wiring Diagram



2). TDMD Series Wiring Diagram



3). TDMV Series Wiring Diagram

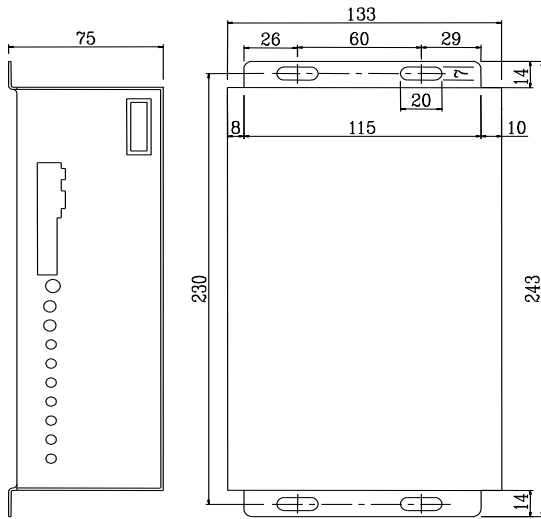


● Door Controller Specifications

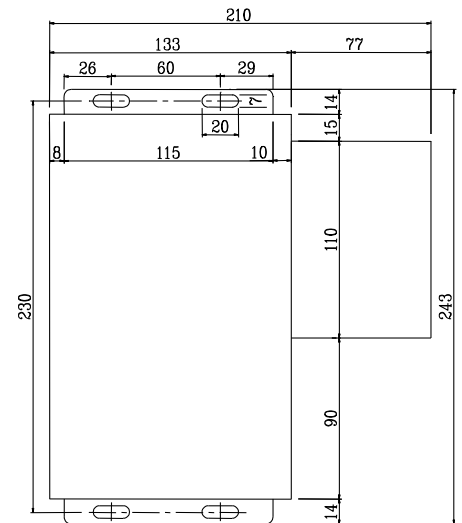
Specification	Unit					
Voltage Input Range	Volts	AC110V Series: AC90V~AC110V or DC110V~DC150V				
Output Voltage	Volts	Vab : DC 0~120V Vjk : DC150V				
Control Method		Power Transistor				
Dial Switch Settings		1,6 ON	2,7 ON	3,8 ON	4,9 ON	5,10 ON
Continuous Holding Current (IL)	Amps	0.35	0.5	0.6	0.75	0.95
Continuous Rated Current (IR)	Amps	0.85	1.15	1.5	1.9	2.3
Maximum Current (IT)	Amps	1.1	1.5	1.95	2.45	2.9
Maximum Ambient Temperature	°C	40				
Protection Features		<ul style="list-style-type: none"> ● Overcurrent Protection ● Foreign Object Detection 				

● Door Controller Dimensions

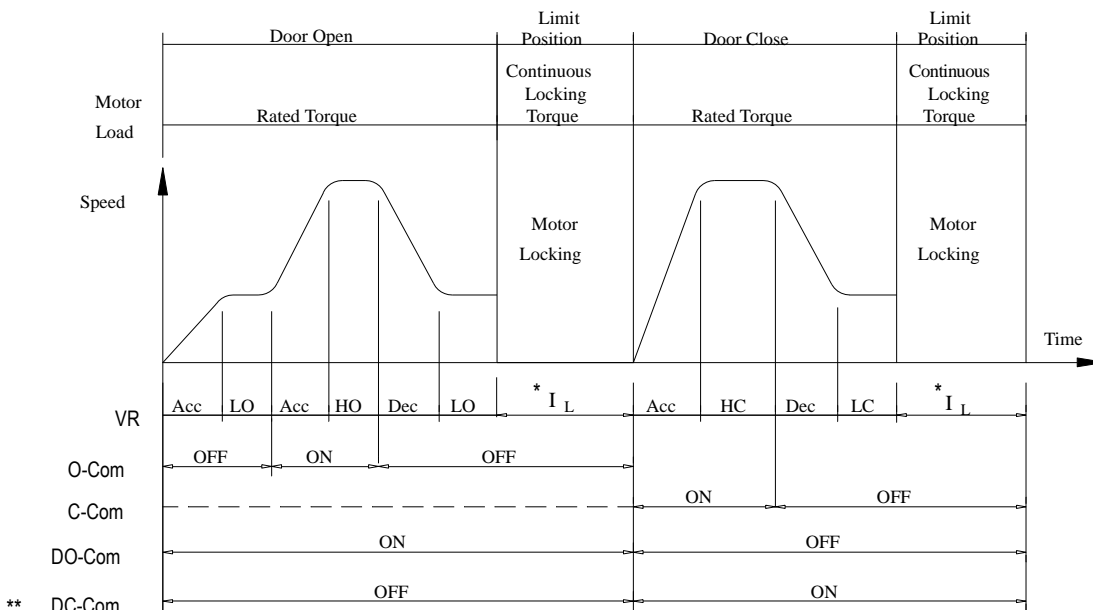
◆ TDM□1 Series (AC110V)



◆ TDM□2 Series (AC230V)



● WORKING CURVE



* I_L : Continuous Locking Current - Constant
 ** DC-Com: Model TDM□ and TDM□ are available

4. TECHNICAL DATA

- Direct Drive Door Opener – Motor with Gear Reducer (Home Elevator/Fireproof Elevator)

Parameter	Unit	TP07-06HG10	TP08/125VG101
Max. Voltage	Volts	DC72V	DC90V
Output - Continuous Rating	Watt	45	75
Voltage Gradient No Load	V/10rpm	6	6
Max. Speed *	rpm	110	125
Continuous Locking Torque (TL) *	Kg-cm	15	25
Continuous Locking Current (IL) *	Amps	0.35	0.48
Rating Torque - Continuous (TR) *	Kg-cm	40	65
Rating Current - Continuous (IR) *	Amps	0.9	1.2
Max. Torque (Tp) **	Kg-cm	200	325
Max. Current (Ip) **	Amps	4.5	6
Torque Constant (KT) *	Kg-cm/A	44	54
Temperature Rise (ΔT)	$^{\circ}C$	15	15
Armature Resistance (A, B) - Carbon Brushless ***	Ω	16	12
Weight	Kg	6	8
Carbon Brush warranty	GR	Gear Reducer / 10	
Insulation Class	Year	10	
Max. Ambient Temperature	Class	B	
Motor Protection	$^{\circ}C$	40	
Voltage Resistance		IP44 (TENV)	
Insulation Resistance		AC1000V-1min	
Weight	M Ω	50	

- Hitachi/Yungtay Arm Door Opener – Motor with Gear Reducer

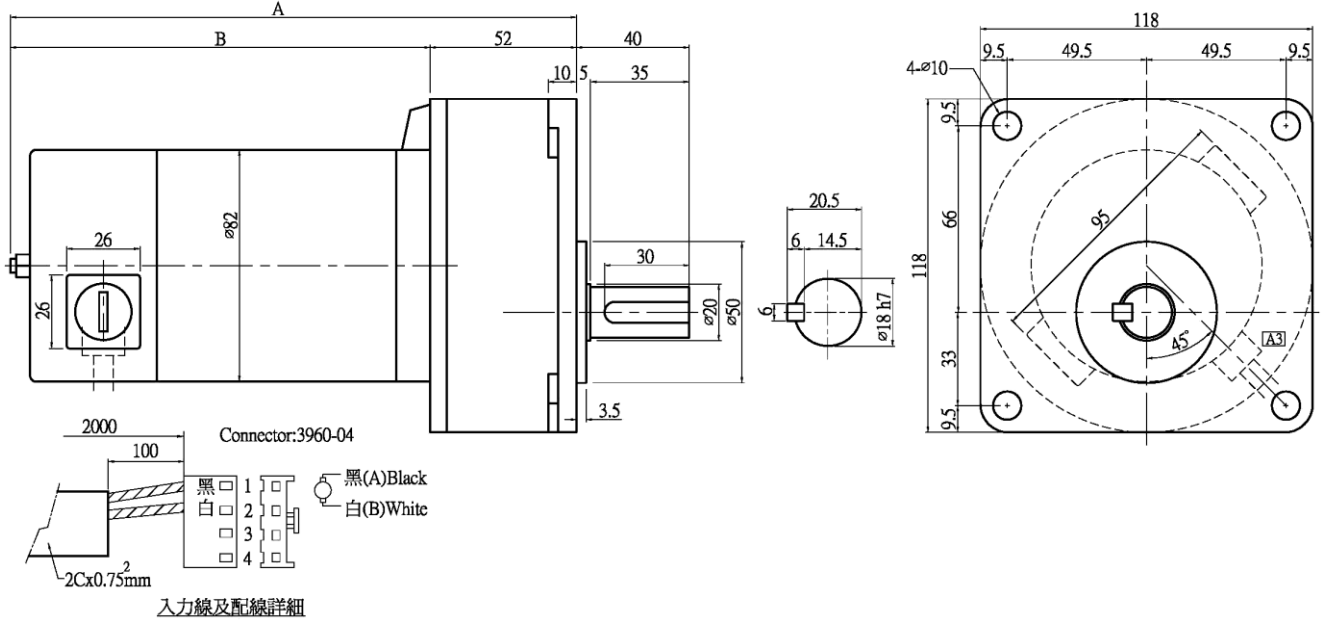
Parameter	Unit	TP08/100VG201+BK3
Max. Voltage	Volts	DC110V
Output - Continuous Rating	Watt	75
Voltage Gradient No Load	V/10rpm	11
Max. Speed *	rpm	100
Continuous Locking Torque (TL) *	Kg-cm	50
Continuous Locking Current (IL) *	Amps	0.48
Rating Torque - Continuous (TR) *	Kg-cm	130
Rating Current - Continuous (IR) *	Amps	1.2
Max. Torque (Tp) **	Kg-cm	650
Max. Current (Ip) **	Amps	6
Torque Constant (KT) *	Kg-cm/A	108
Temperature Rise (ΔT)	$^{\circ}C$	15
Armature Resistance (A, B) - Carbon Brushless ***	Ω	12
Weight		Gear Reducer / 20
Carbon Brush warranty	Kg	8
Insulation Class	Year	10
Max. Ambient Temperature	Class	B
Motor Protection	$^{\circ}C$	40
Voltage Resistance		IP44 (TENV)
Insulation Resistance		AC1000V-1min
Max. Torque (Tp)	M Ω	50

5. Door Motor Dimension

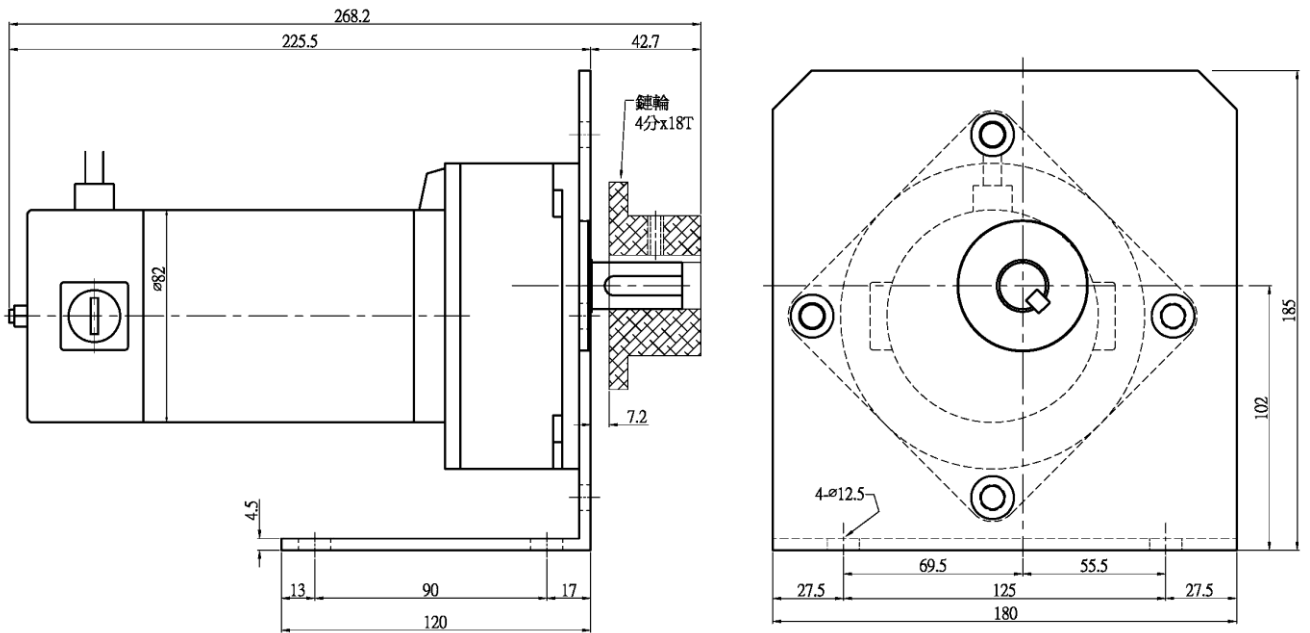
● Gear Motor

◆ TP07-06HG10 / TP08/125VG101

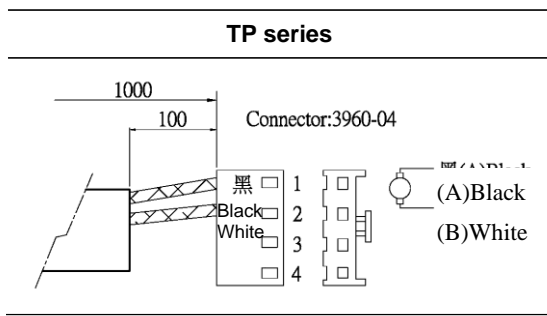
	TP07-06HG10	TP08/125VG101
A	201	221
B	149	169



◆ TP08/100VG201+BK3



◆ Motor Wiring

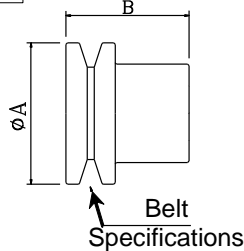


● Motor Accessories - Belt Pulley

Belt Pulley Specifications

$\frac{P}{1} \frac{M}{2} \frac{28}{3} - \frac{11}{4}$

- 1: Belt Pulley
- 2: Belt Specifications
- 3: Length (B)
- 4: Tension Belt Width (Only for High Tension)



Belt Pulley Model	Belt Specifications	A	B
PA40	A	45	40
PA28	A	50	28
PH28-5	H(High Tension 5mm)	45	28
PH37-5	H(High Tension 5mm)	45	37
PH28-11	H(High Tension 11mm)	50	28
PH40-11	H(High Tension 11mm)	45	40
PK37	K	45	40
PM40	M	45	40
PM28	M	50	28

◆ NOTES

● TM – TP – Motor Comparison Table

Door Motor Model	TP22		TP25	TP50	TP70	TP90	TP100
Door Motor Model	TM20	TM28	TM40	TM50	TM70		
Max. Door Width *	1000 mm		1200 mm	1800 mm	3000 mm	4500 mm	7000 mm
Door Controller Model	TDM□□ – □					TDMS1-H	