

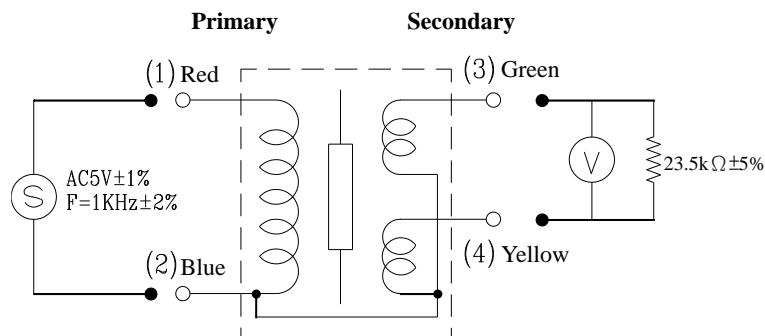


- Load Cell sensor

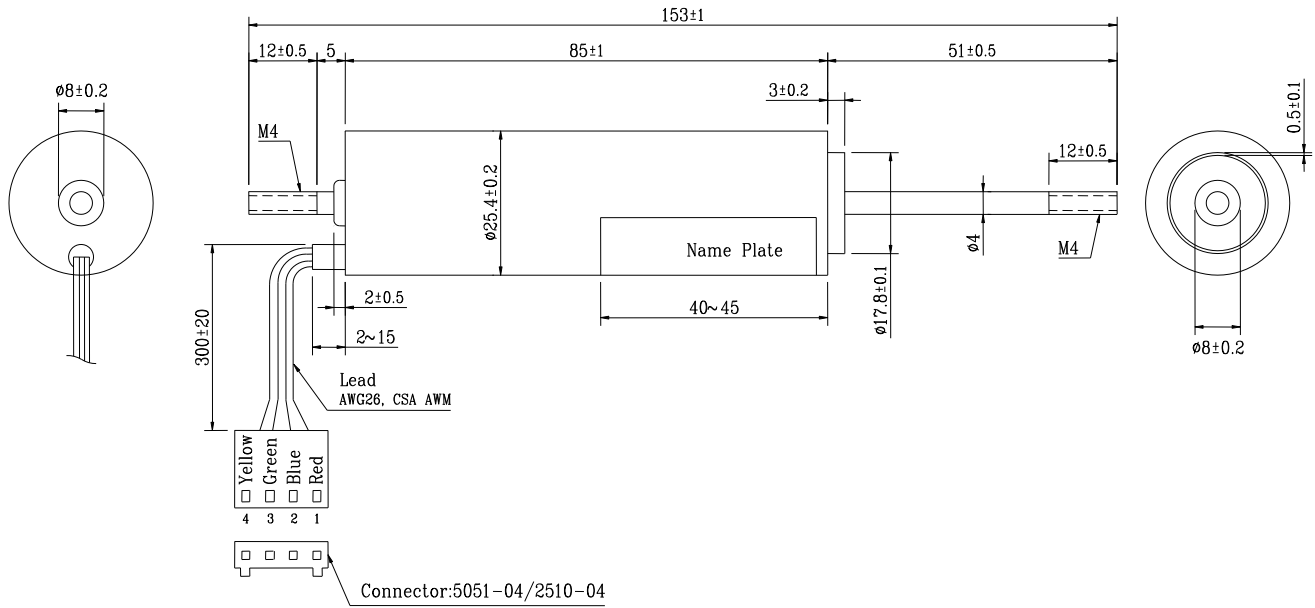
Technical Data

| Parameter | Unit | STR25-5 |
|--|-----------|--------------------------|
| Electrical | | |
| Supply Voltage: Vcc | | AC 1±30% KHz, 5±10% Vrms |
| Resistance - Input | * | 250Ω. Min |
| Output Sensitivity | * Vrms/mm | 0.51±15% |
| Symmetry error | % | 1 Max. |
| Linear Error | % | ±1.5 Max. |
| Temperature Rise (ΔT): | ** °C | ±2% Max. |
| Working Range: | mm | Min. 0 ~ 28 |
| Output Center(Zero point): | *** mm | +8 ±0.5 |
| Sensitivity and Linearity warranted range | mm | +2 ~ +14 |
| Withstand Voltage: | | AC1500V – 1min Min. |
| Insulation Resistance: | | 5 MΩ – DC500V Min. |
| Environment | | |
| Operating Temperature | °C | -15 ~ 65 |
| Storage Temperature | °C | -20 ~ 90 |
| Humidity | | 95% RH Max. |
| * Vcc=1 KHz, 5Vrms | | |
| ** Ambient Temperature –15 ~ 65 °C | | |
| *** When guide bar on the limit position pushed from the lead side | | |

Electrical Diagram



Dimension



YX401D002-01